

A-A

50

B

B-B

B

A

R30

A

R20

744 650 A4

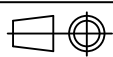
1114897-01

ID number

Text:

Change No. C000941-10

Phase: Nicht-Serie



Original drawing  
Scale | Format

Platte

Werkstoff:  
Material:

RoHS | 1:1 | A4

Plate

Maße in mm / Dimensions in mm

Einzelteilzeichnung / Component Drawing

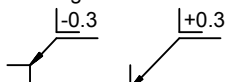
●blanke Flächen/Blank surfaces

Werkstückkanten nach ISO 13715  
Workpiece edges ISO 13715

Allgemeintoleranzen ISO 2768-mH  $\leq 6\text{mm}: \pm 0,2$   
General tolerances ISO 2768-mH  $\leq 6\text{mm}: \pm 0,2$

Tolerierung nach ISO 8015  
Tolerances as per ISO 8015

Oberflächen nach ISO 1302  
Surfaces as per ISO 1302



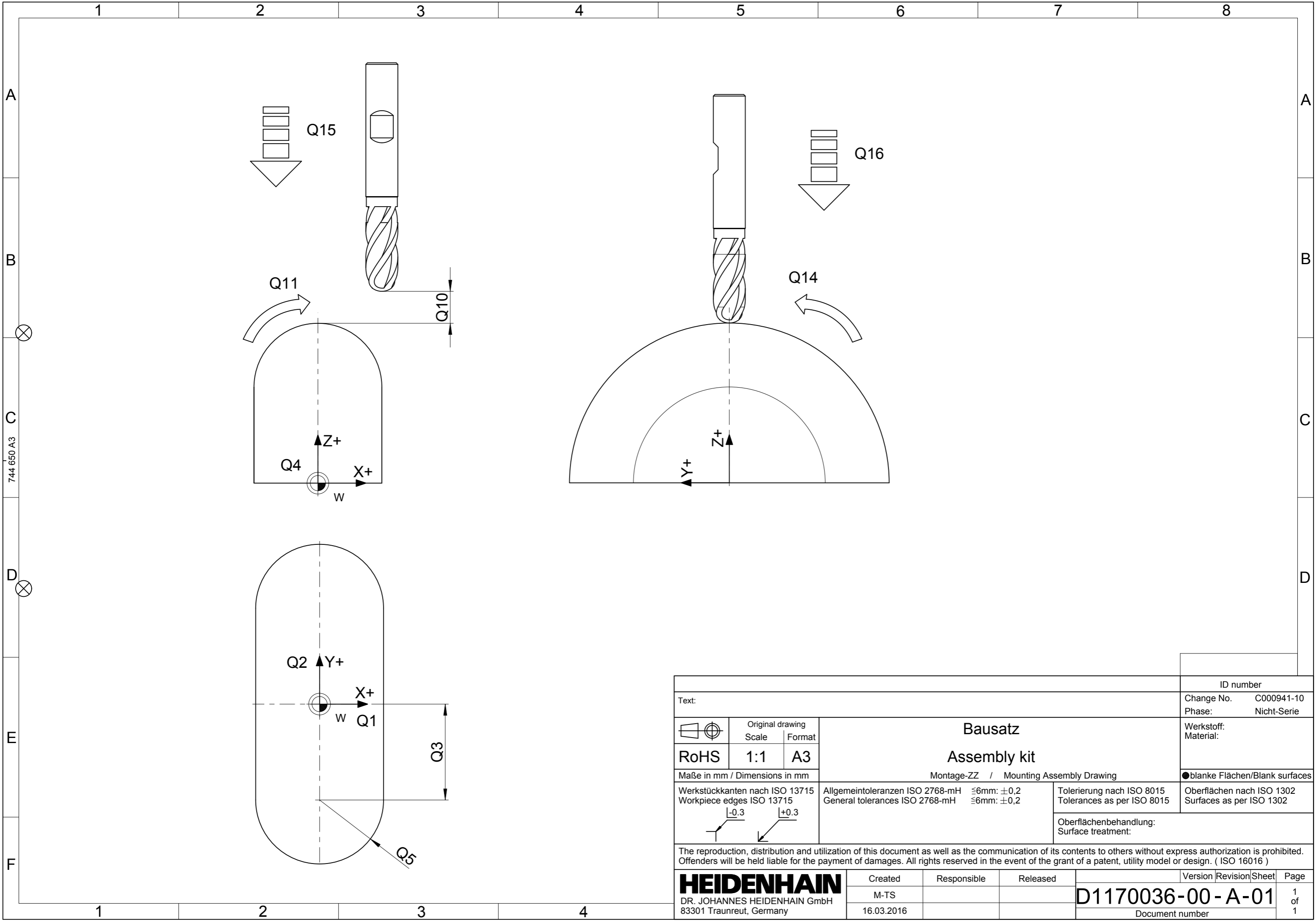
Oberflächenbehandlung:  
Surface treatment:

The reproduction, distribution and utilization of this document as well as the communication of its contents to others without express authorization is prohibited. Offenders will be held liable for the payment of damages. All rights reserved in the event of the grant of a patent, utility model or design. ( ISO 16016 )

**HEIDENHAIN**  
DR. JOHANNES HEIDENHAIN GmbH  
83301 Traunreut, Germany

Created	Responsible	Released
Baumgartner		
04.08.2014		

Version	Revision	Sheet	Page
D1114897-00-A-01			1 of 1
Document number			



744 650 A3

Text:			ID number											
			Change No.	C000941-10										
			Phase:	Nicht-Serie										
			Werkstoff: Material:											
<table border="1"> <tr> <td>Original drawing</td> <td colspan="2">Scale</td> <td colspan="2">Format</td> </tr> <tr> <td>RoHS</td> <td>1:1</td> <td colspan="2">A3</td> <td></td> </tr> </table>			Original drawing	Scale		Format		RoHS	1:1	A3			<b>Bausatz</b> <b>Assembly kit</b> Montage-ZZ / Mounting Assembly Drawing	
Original drawing	Scale		Format											
RoHS	1:1	A3												
Maße in mm / Dimensions in mm			●blanke Flächen/Blank surfaces											
Werkstückkanten nach ISO 13715 Workpiece edges ISO 13715		Allgemeintoleranzen ISO 2768-mH $\leq 6\text{mm}$ : $\pm 0,2$ General tolerances ISO 2768-mH $\leq 6\text{mm}$ : $\pm 0,2$		Tolerierung nach ISO 8015 Tolerances as per ISO 8015										
		Oberflächenbehandlung: Surface treatment:												
The reproduction, distribution and utilization of this document as well as the communication of its contents to others without express authorization is prohibited. Offenders will be held liable for the payment of damages. All rights reserved in the event of the grant of a patent, utility model or design. ( ISO 16016 )														
<b>HEIDENHAIN</b> DR. JOHANNES HEIDENHAIN GmbH 83301 Traunreut, Germany			Created	Responsible										
			M-TS											
16.03.2016			Released											
			Version	Revision										
			Sheet											
			Page											
			<b>D1170036-00-A-01</b> Document number											
			1 of 1											