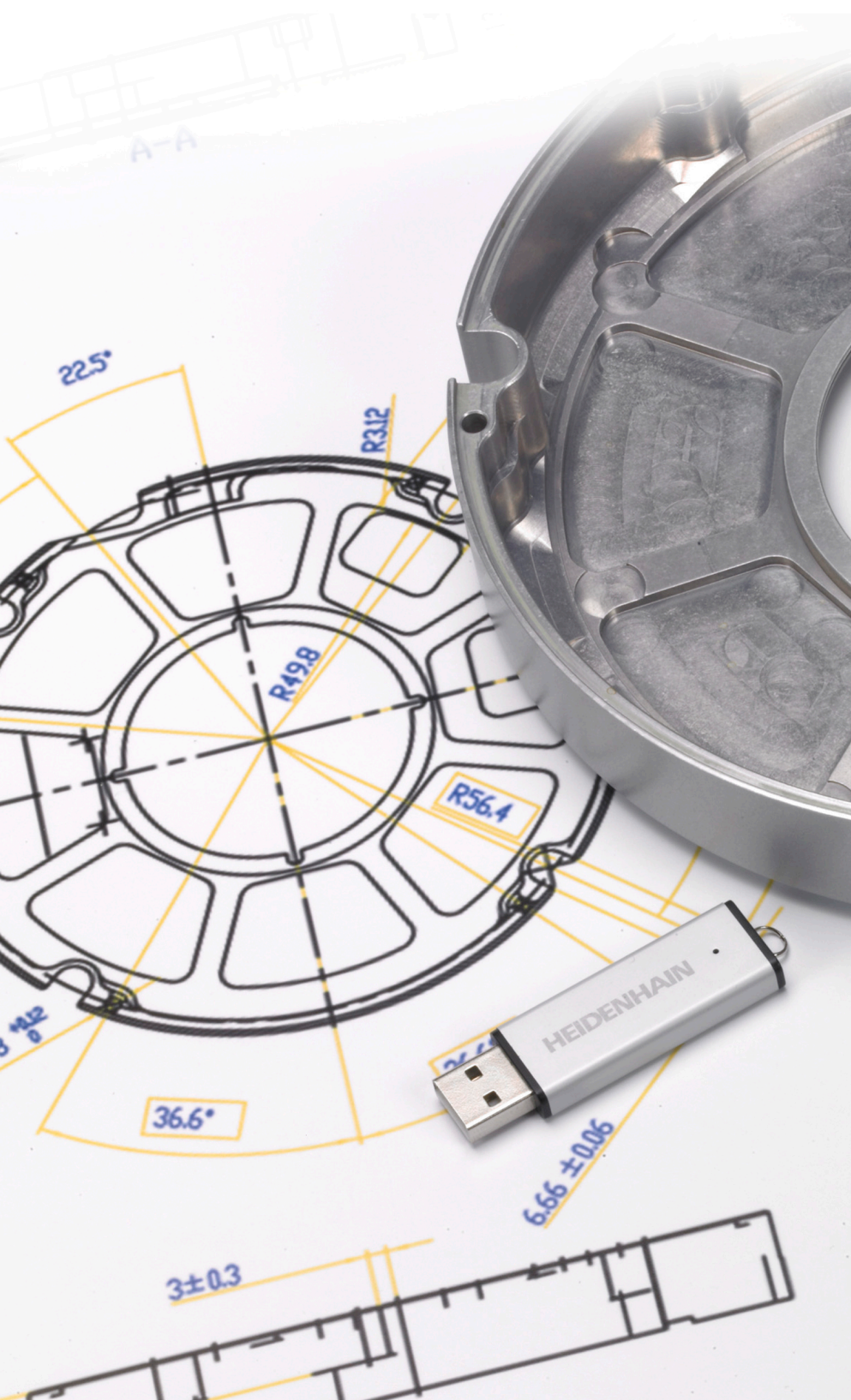




HEIDENHAIN



Solutions CN

Jeu de dessins 13004

Français (fr)
6/2018

1 JeuDeDessins_13004

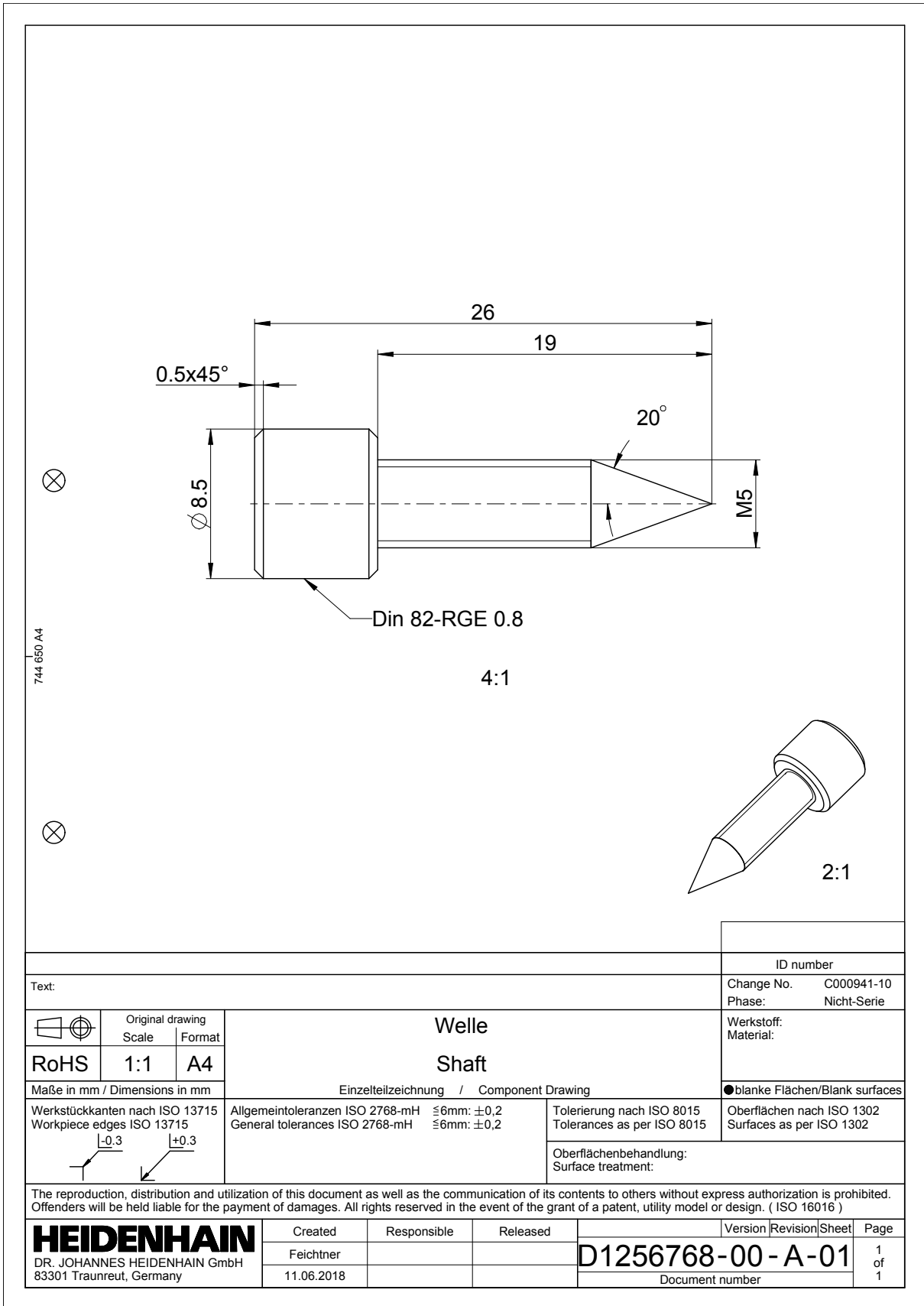
Liste des pièces du moteur pneumatique

Pièces usinées

Quantité	Dénomination	Matériau	Numéro de document
1	Arbre	CW508L	D1256768-00
1	Plaque	ENAW 2007	D1256772-00
1	Piston	CW508L	D1256799-00
1	Rondelle	CW508L	D1256806-00
1	Arbre	CW508L	D1256807-00
1	Plaque	ENAW 2007	D1256809-00
1	Carter	PMMA	D1256812-00
1	Plaque	ENAW 2007	D1256815-00
1	Rondelle	CW508L	D1256823-00
1	Arbre	CW508L	D1256826-00
1	Capot du carter	PMMA	D1256827-00

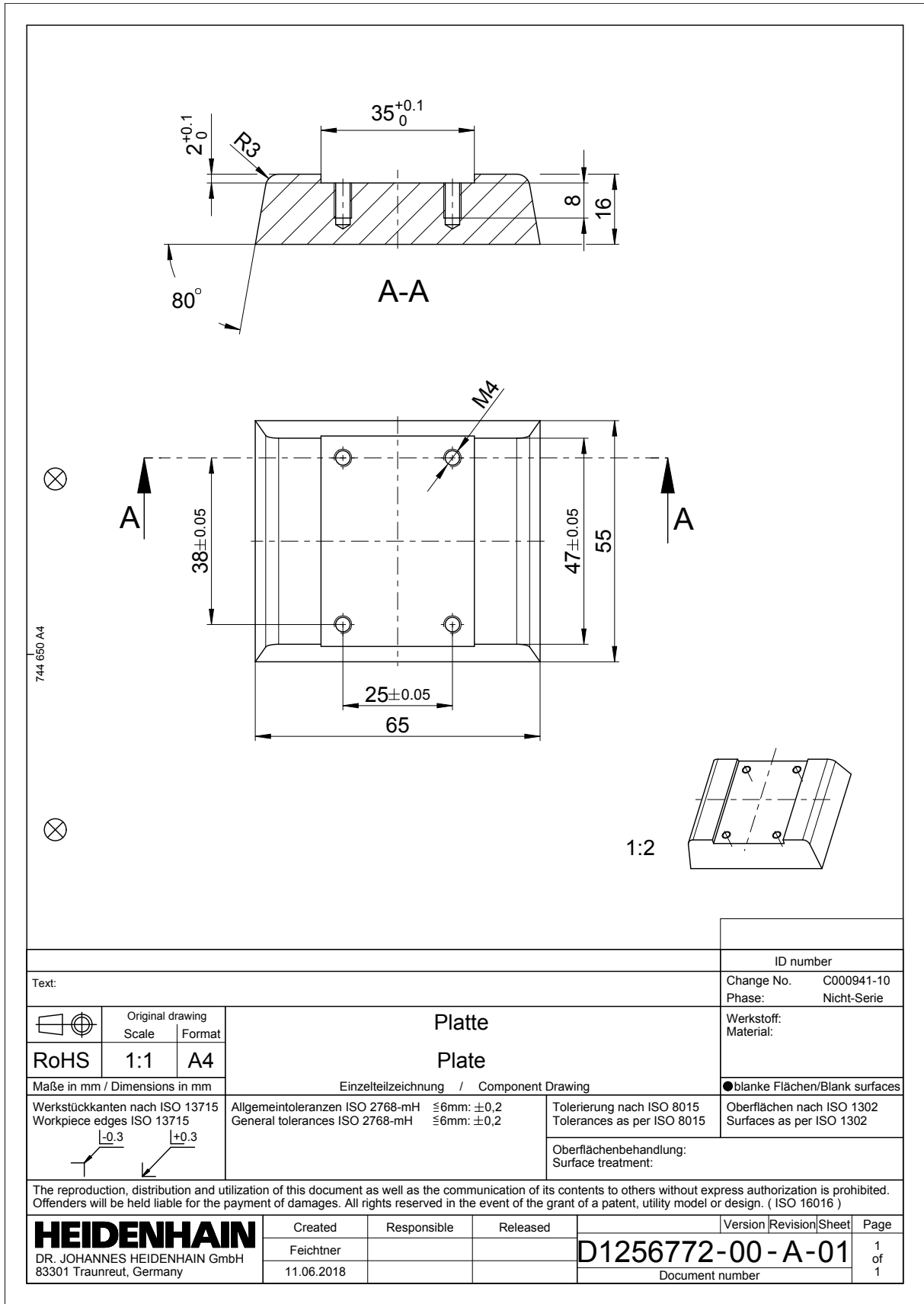
Pièces standards

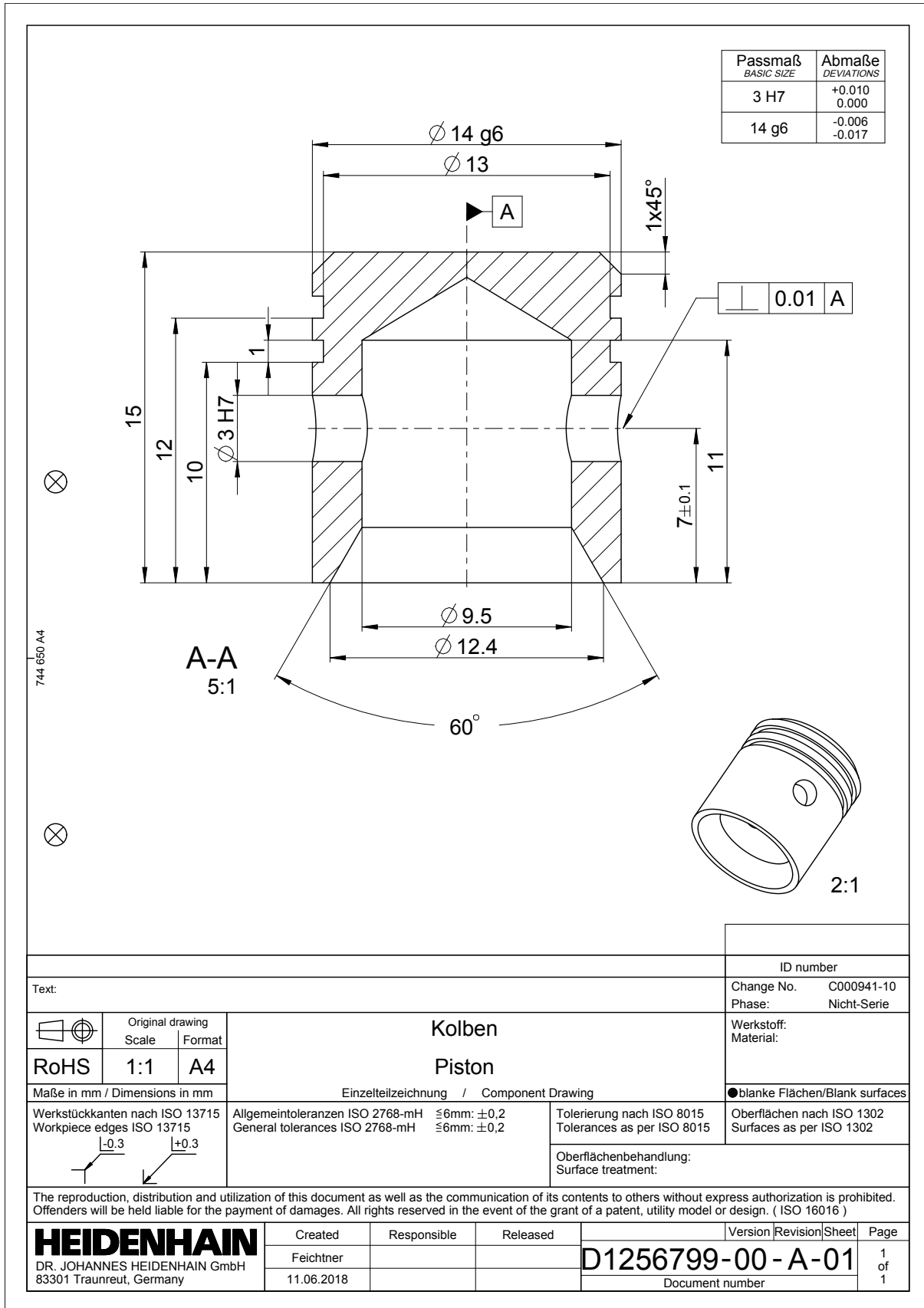
Quantité	Dénomination	Norme	Remarque
2	Vis cylindrique M4 x 18	DIN EN ISO 4762	Six pans creux
4	Vis cylindrique M4 x 6	DIN EN ISO 4762	Six pans creux
4	Vis à tête conique M3 x 8	DIN EN ISO 7046-1	Six pans creux
2	Tige filetée M4 x 6	DIN EN 27434	Avec pointe
1	Tige cylindrique Ø3 x 12 mm	DIN EN ISO 8734	
1	Rondelle de sécurité Ø 3,2	DIN 6799-3,2	
1	Joint d'étanchéité (par ex. silicone)		Rainure d'étanchéité du carter du moteur

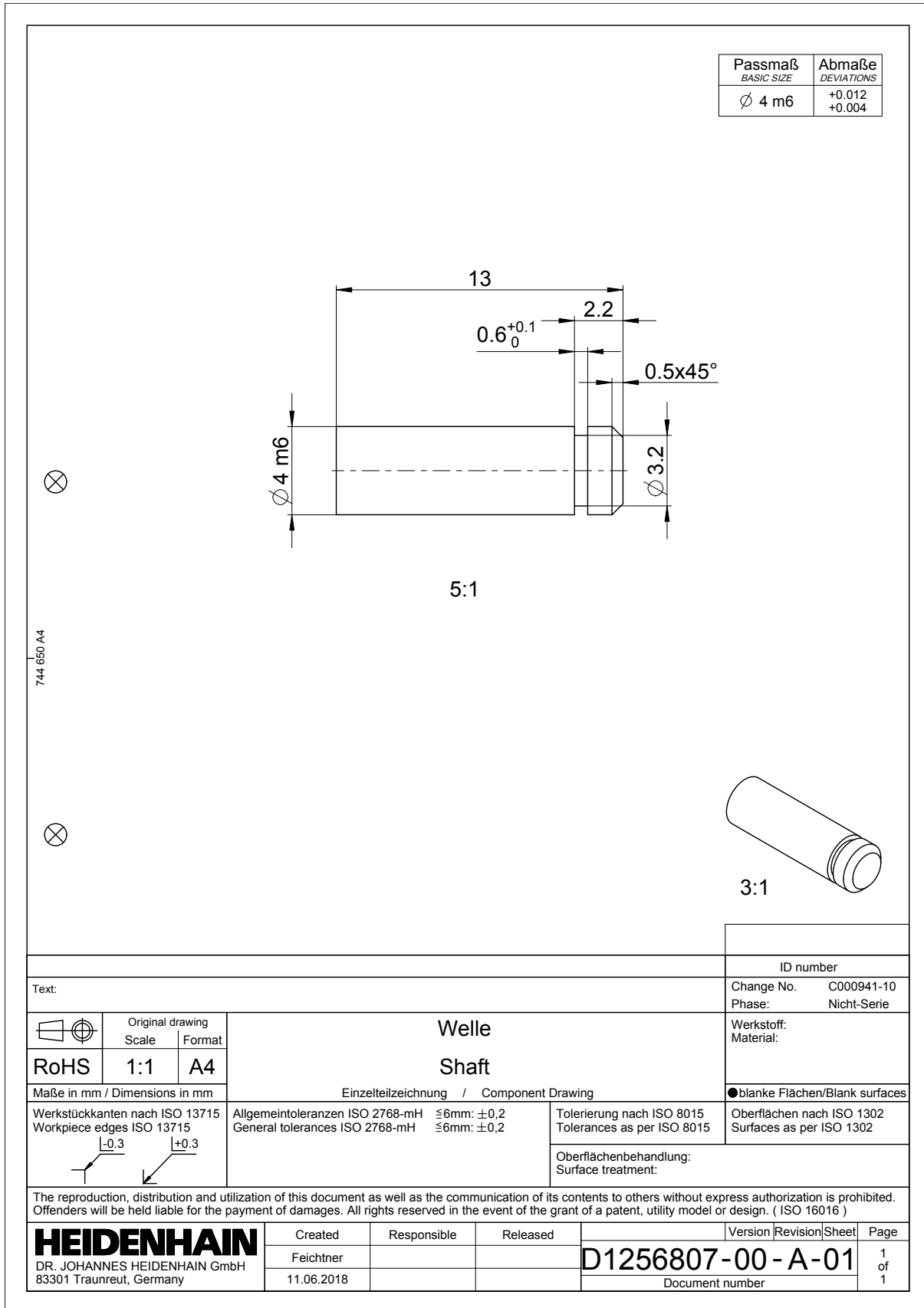


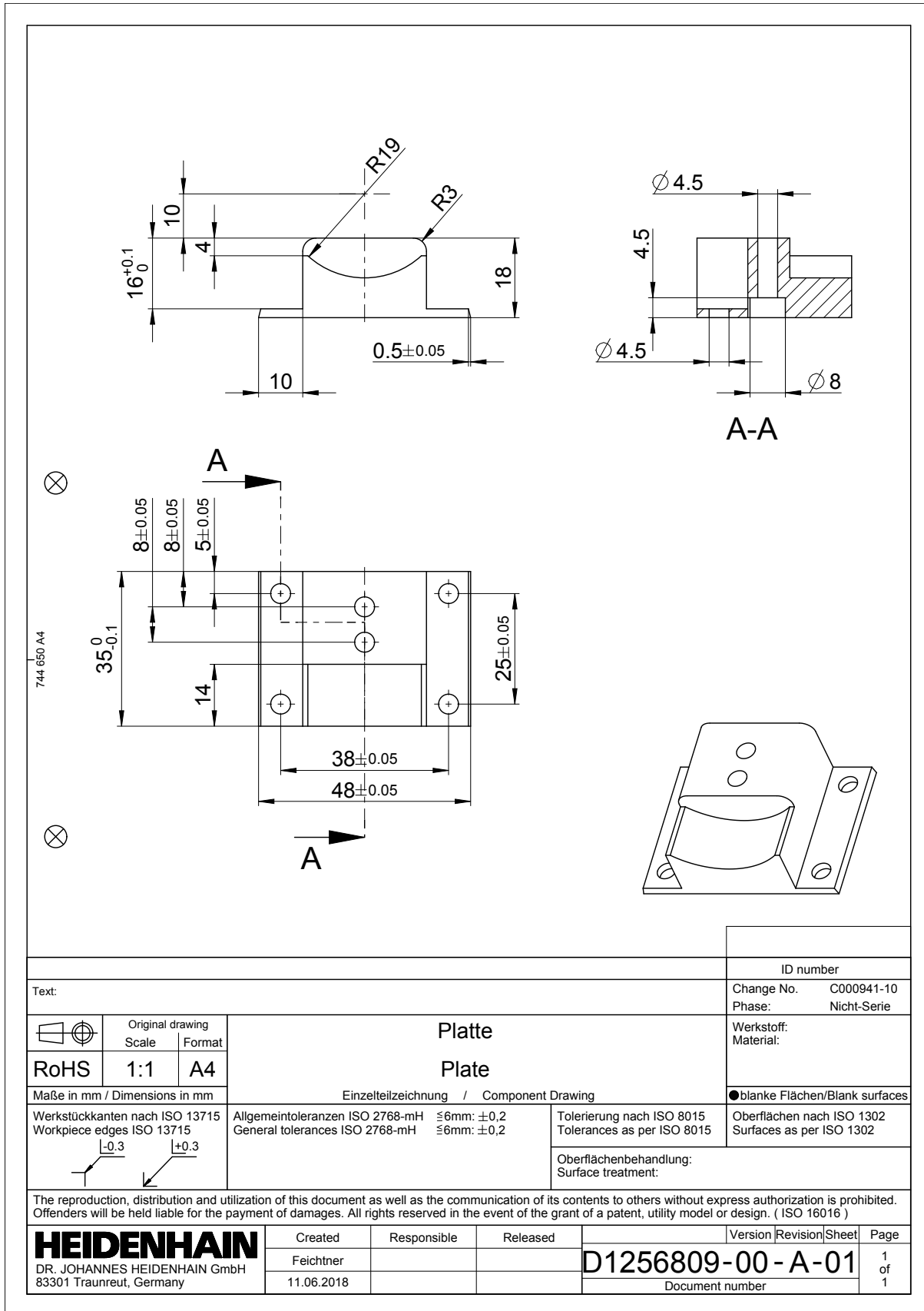
744 650 A4

Text:		ID number
Change No. C000941-10		Phase: Nicht-Serie
Werkstoff: Material:		
Maße in mm / Dimensions in mm		●blanke Flächen/Blank surfaces
Werkstückkanten nach ISO 13715 Workpiece edges ISO 13715		Tolerierung nach ISO 8015 Tolerances as per ISO 8015
Allgemeintoleranzen ISO 2768-mH $\leq 6\text{mm}$: $\pm 0,2$ General tolerances ISO 2768-mH $\leq 6\text{mm}$: $\pm 0,2$		Oberflächen nach ISO 1302 Surfaces as per ISO 1302
Oberflächenbehandlung: Surface treatment:		
The reproduction, distribution and utilization of this document as well as the communication of its contents to others without express authorization is prohibited. Offenders will be held liable for the payment of damages. All rights reserved in the event of the grant of a patent, utility model or design. (ISO 16016)		
HEIDENHAIN DR. JOHANNES HEIDENHAIN GmbH 83301 Traunreut, Germany	Created	Responsible
	Released	Version
Feichtner	11.06.2018	
D1256768-00 - A-01		Revision
Document number		Sheet
		Page
		1 of 1









Text:		ID number	
		Change No.	C000941-10
		Phase:	Nicht-Serie
		Werkstoff:	
		Material:	
		●blanke Flächen/Blank surfaces	
Maße in mm / Dimensions in mm		Einzelteilzeichnung / Component Drawing	
Werkstückkanten nach ISO 13715 Workpiece edges ISO 13715		Allgemeintoleranzen ISO 2768-mH General tolerances ISO 2768-mH	Tolerierung nach ISO 8015 Tolerances as per ISO 8015
		$\leq 6\text{mm}: \pm 0,2$ $\leq 6\text{mm}: \pm 0,2$	Oberflächen nach ISO 1302 Surfaces as per ISO 1302
		Oberflächenbehandlung: Surface treatment:	
The reproduction, distribution and utilization of this document as well as the communication of its contents to others without express authorization is prohibited. Offenders will be held liable for the payment of damages. All rights reserved in the event of the grant of a patent, utility model or design. (ISO 16016)			
HEIDENHAIN DR. JOHANNES HEIDENHAIN GmbH 83301 Traunreut, Germany	Created	Responsible	Released
	Feichtner		
	11.06.2018		
		Version	Revision
		Sheet	
		Page	
		D1256809-00 - A-01	
		Document number	
		1 of 1	

