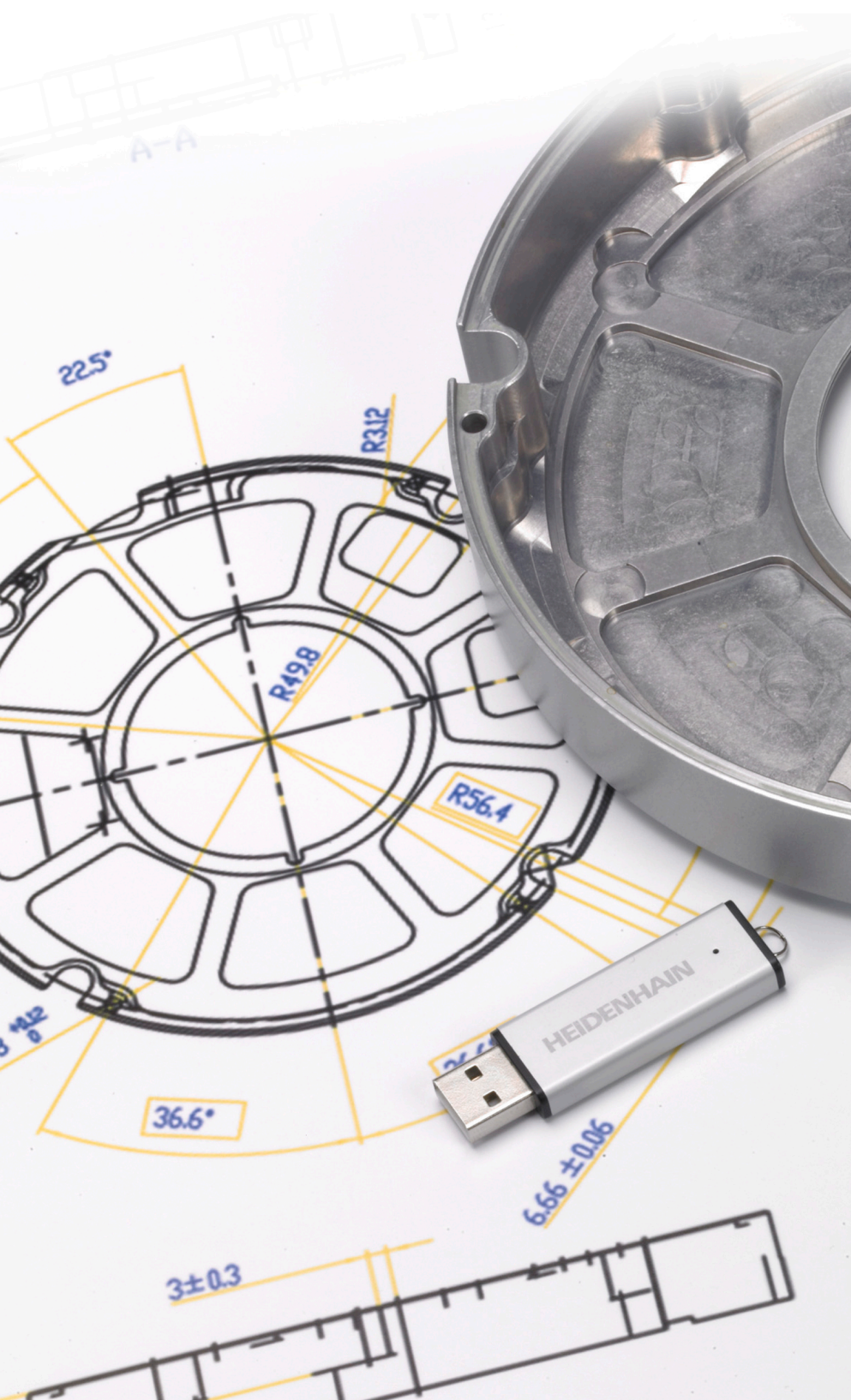




# HEIDENHAIN



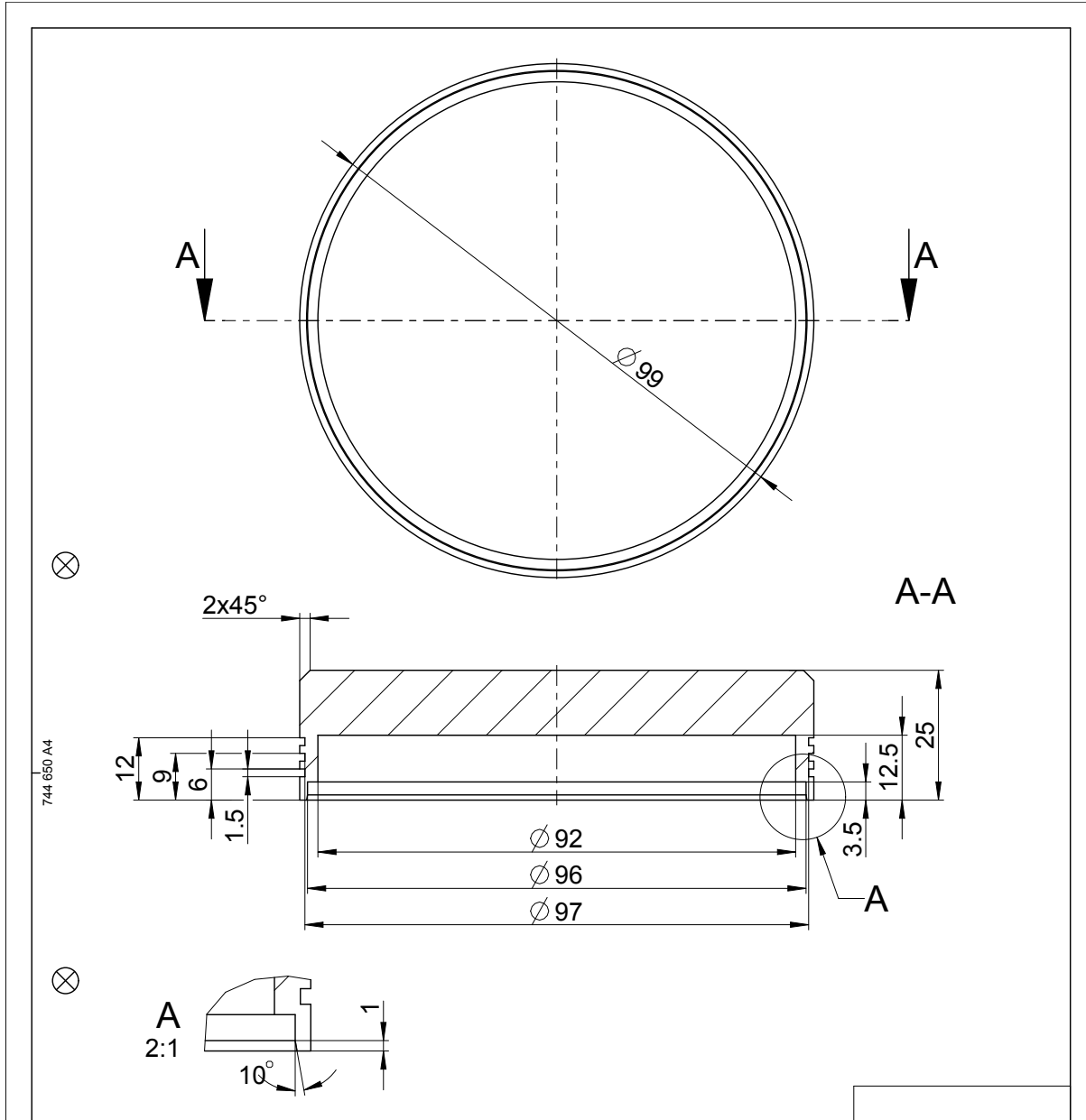
## NC-Solutions

Tekenset 13003

Nederlands (nl)  
4/2017

# 1 Tekenset 13003

## Tekening deksel



744 650 A4

Text:			ID number	
			Change No. C000941-05	
			Phase: Nicht-Serie	
	Original drawing		Welle Shaft	
	Scale	Format		
RoHS	1:1	A4	Werkstoff: Material:	
Maße in mm / Dimensions in mm			Einzelteilzeichnung / Component Drawing	
Werkstückkanten nach ISO 13715 Workpiece edges ISO 13715		Allgemeintoleranzen ISO 2768-mH General tolerances ISO 2768-mH	Tolerierung nach ISO 8015 Tolerances as per ISO 8015	●blanke Flächen/Blank surfaces Oberflächen nach ISO 1302 Surfaces as per ISO 1302
		Oberflächenbehandlung: Surface treatment:		
The reproduction, distribution and utilization of this document as well as the communication of its contents to others without express authorization is prohibited. Offenders will be held liable for the payment of damages. All rights reserved in the event of the grant of a patent, utility model or design. ( ISO 16016 )				
<b>HEIDENHAIN</b> DR. JOHANNES HEIDENHAIN GmbH 83301 Traunreut, Germany		Created	Responsible	Released
		M-TS		
		Version   Revision   Sheet		Page
		D1145556-00-A-01		1 of 1
		Document number		

Tekening onderste gedeelte

