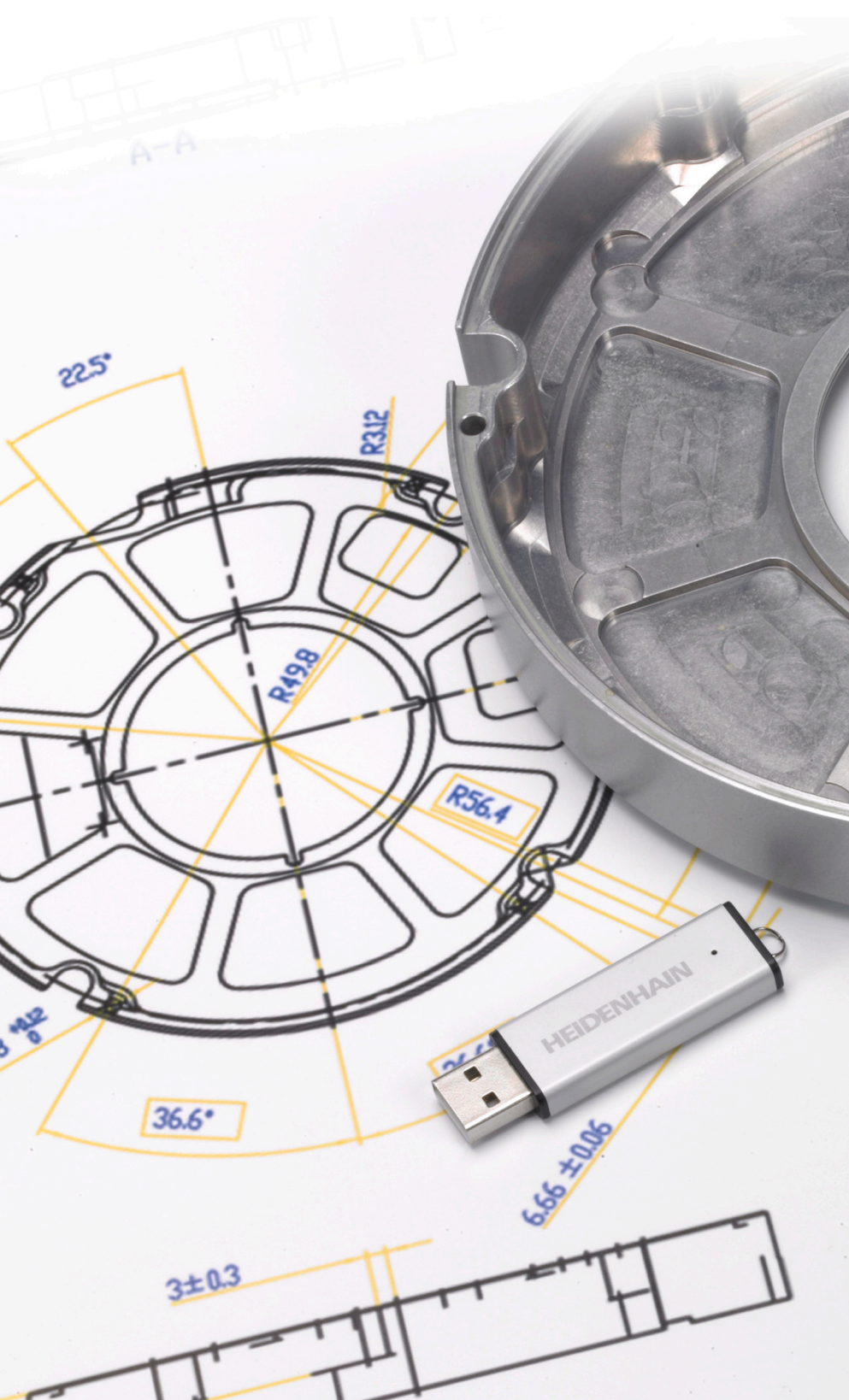




HEIDENHAIN



NC-Solutions

Tekenset 13004

Nederlands (nl)
6/2018

1 Tekenset_13004

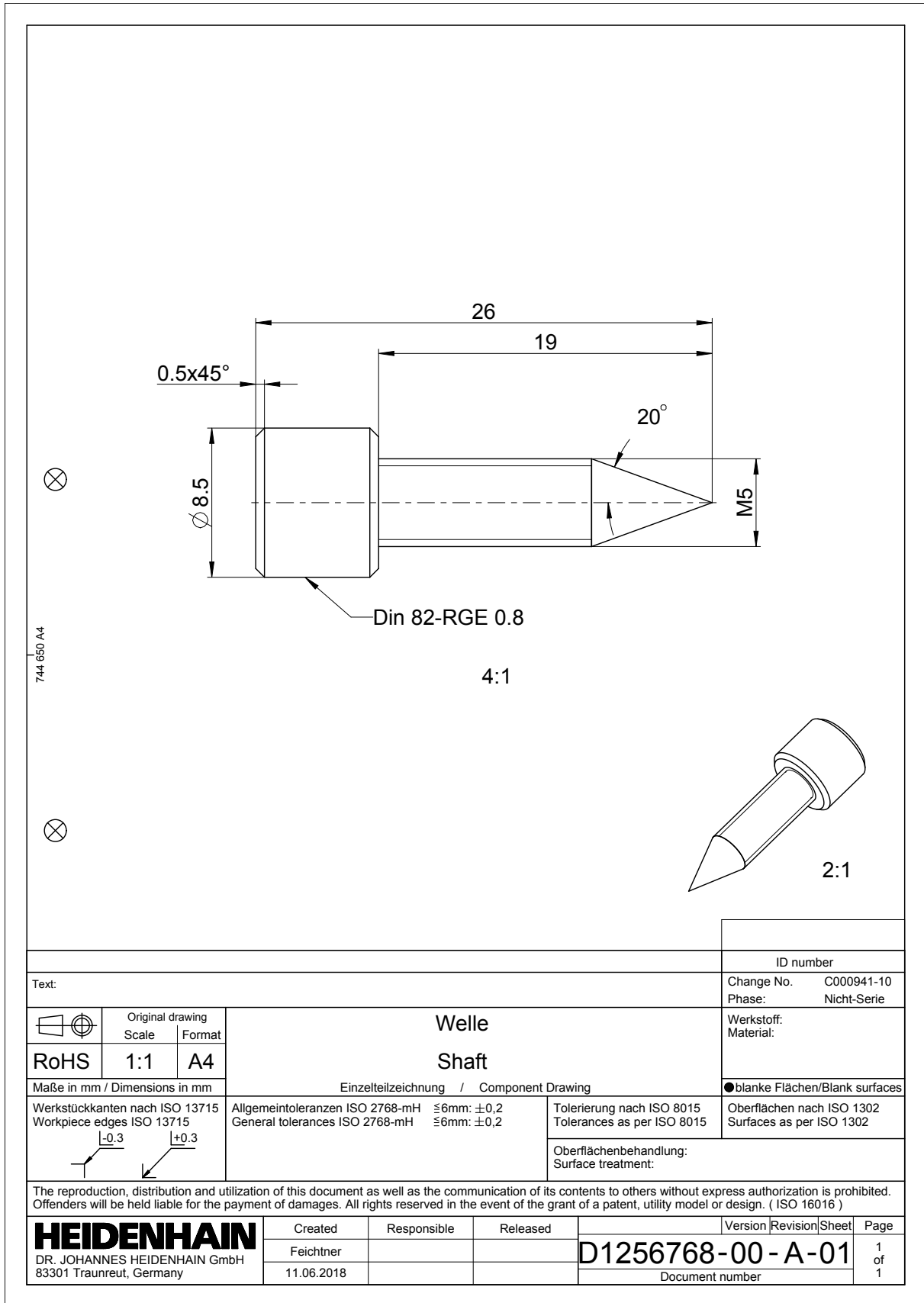
Stuklijst persluchtmotor

Productieonderdelen

Aantal	Benaming	Materiaal	Documentnummer
1	As	CW508L	D1256768-00
1	Plaat	ENAW 2007	D1256772-00
1	Zuigers	CW508L	D1256799-00
1	Ring	CW508L	D1256806-00
1	As	CW508L	D1256807-00
1	Plaat	ENAW 2007	D1256809-00
1	Behuizing	PMMA	D1256812-00
1	Plaat	ENAW 2007	D1256815-00
1	Ring	CW508L	D1256823-00
1	As	CW508L	D1256826-00
1	Deksel van behuizing	PMMA	D1256827-00

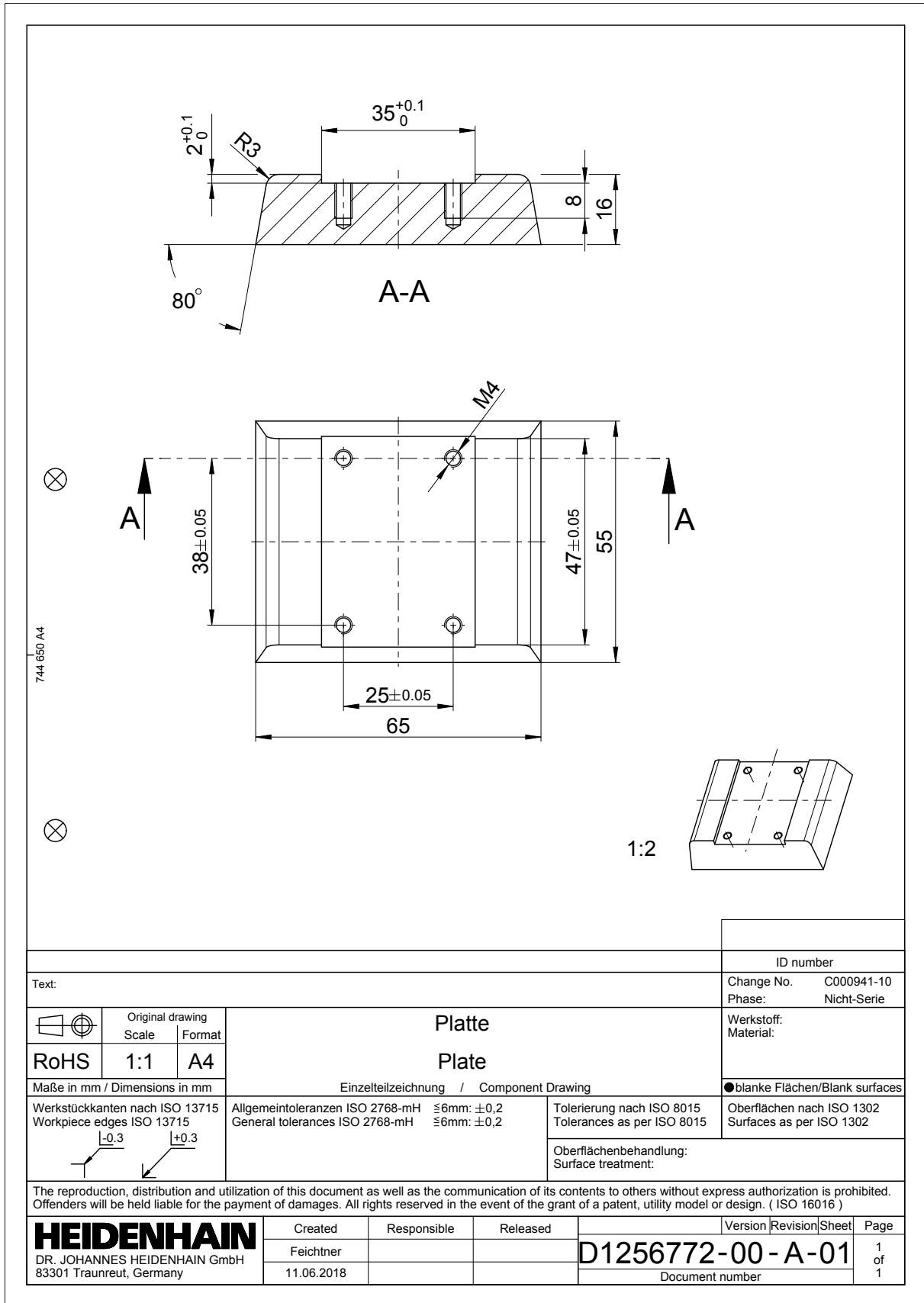
Standaardonderdelen

Aantal	Benaming	Norm	Opmerking
2	Cilinderkopschroef M4 x 18	DIN EN ISO 4762	Binnenzeskant
4	Cilinderkopschroef M4 x 6	DIN EN ISO 4762	Binnenzeskant
4	Schroef met verzonken kop M3 x 8	DIN EN ISO 7046-1	Binnenzeskant
2	Tapeinde M4 x 6	DIN EN 27434	Met punt
1	Cilindrische pen Ø3 x 12 mm	DIN EN ISO 8734	
1	Onderlegging Ø 3,2	DIN 6799-3,2	
1	Afdichtingsmiddel (bijv. siliconen)		Afdichtingsgroef voor motorhuis



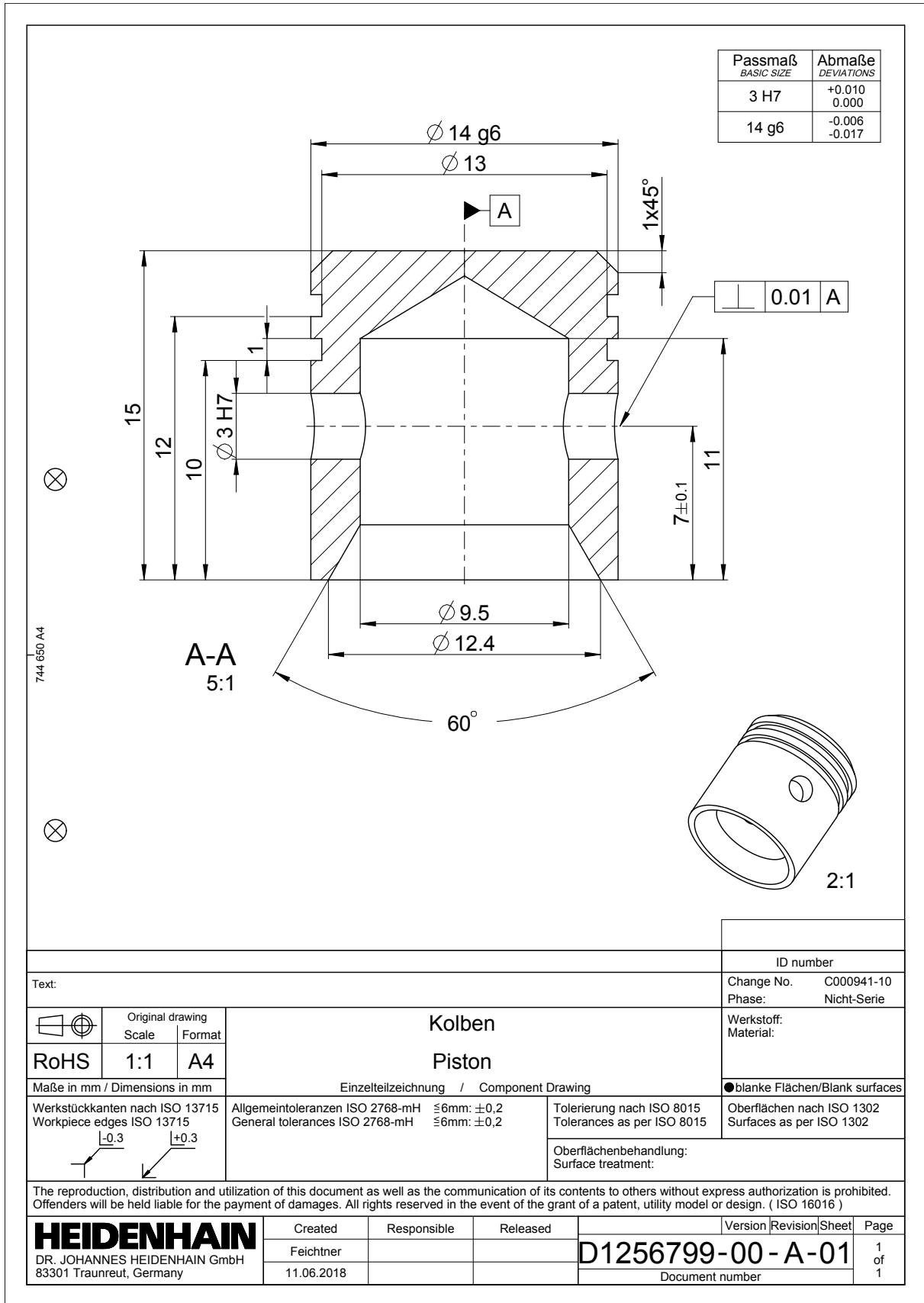
744 650 A4

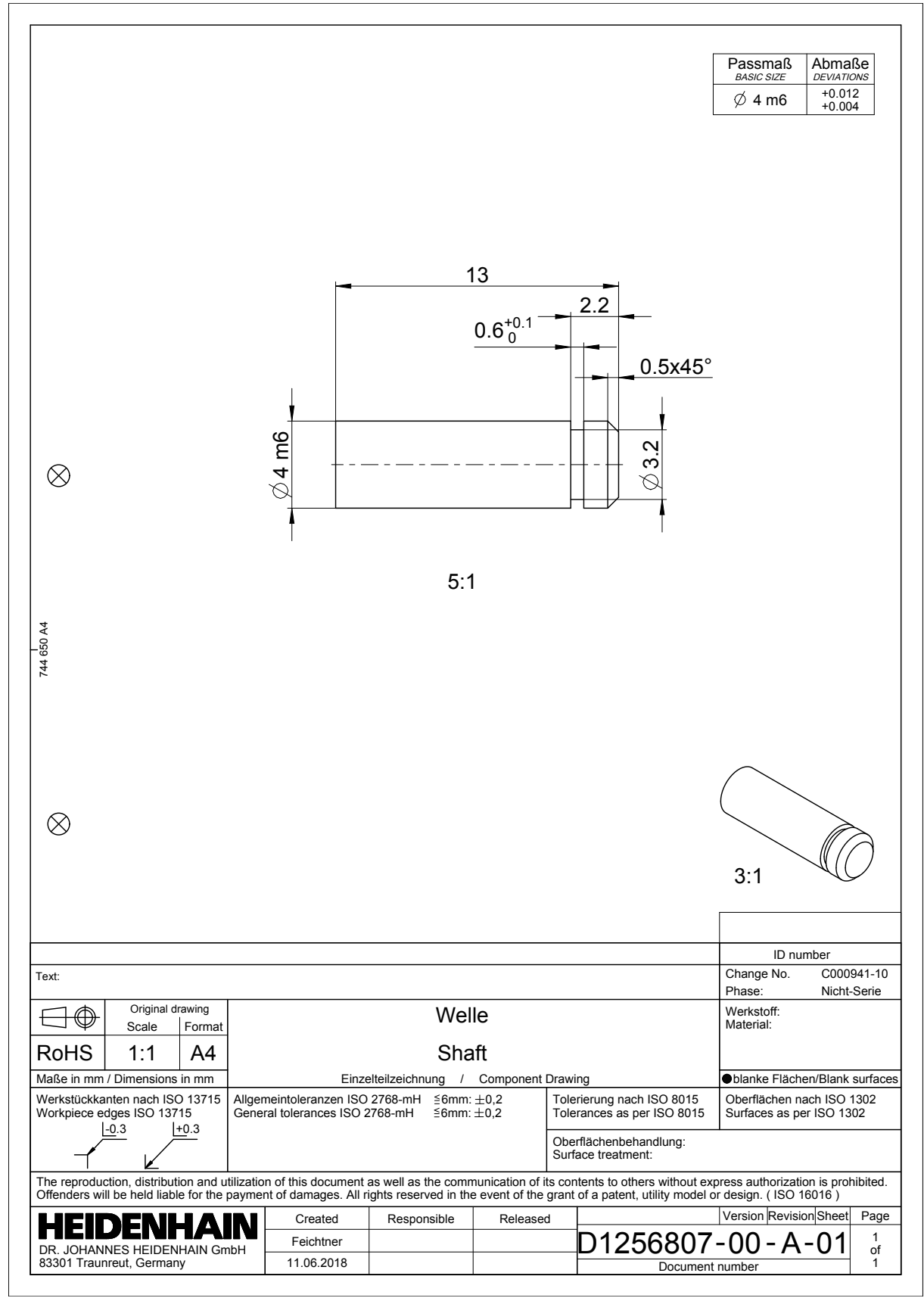
ID number																																				
Text:																																				
<table border="1" style="width: 100%; border-collapse: collapse;"> <tr> <td style="width: 15%; text-align: center;"> </td> <td style="width: 15%;">Original drawing</td> <td style="width: 15%;"></td> <td style="width: 55%; text-align: center; vertical-align: middle;">Welle</td> <td style="width: 15%; text-align: right;">Change No. C000941-10</td> </tr> <tr> <td>RoHS</td> <td>Scale</td> <td>Format</td> <td style="text-align: center; vertical-align: middle;">Shaft</td> <td style="text-align: right;">Phase: Nicht-Serie</td> </tr> <tr> <td></td> <td>1:1</td> <td>A4</td> <td></td> <td style="text-align: right;">Werkstoff: Material:</td> </tr> <tr> <td colspan="3">Maße in mm / Dimensions in mm</td> <td style="text-align: center;">Einzelteilzeichnung / Component Drawing</td> <td style="text-align: right;">●blanke Flächen/Blank surfaces</td> </tr> <tr> <td colspan="2">Werkstückkanten nach ISO 13715 Workpiece edges ISO 13715</td> <td colspan="2">Allgemeintoleranzen ISO 2768-mH General tolerances ISO 2768-mH</td> <td style="text-align: right;">Tolerierung nach ISO 8015 Tolerances as per ISO 8015</td> </tr> <tr> <td colspan="2" style="text-align: center;"> </td> <td colspan="2" style="text-align: center;"> $\leq 6\text{mm}: \pm 0,2$ $\leq 6\text{mm}: \pm 0,2$ </td> <td style="text-align: right;">Oberflächen nach ISO 1302 Surfaces as per ISO 1302</td> </tr> <tr> <td colspan="5" style="text-align: right;">Oberflächenbehandlung: Surface treatment:</td> </tr> </table>		Original drawing		Welle	Change No. C000941-10	RoHS	Scale	Format	Shaft	Phase: Nicht-Serie		1:1	A4		Werkstoff: Material:	Maße in mm / Dimensions in mm			Einzelteilzeichnung / Component Drawing	●blanke Flächen/Blank surfaces	Werkstückkanten nach ISO 13715 Workpiece edges ISO 13715		Allgemeintoleranzen ISO 2768-mH General tolerances ISO 2768-mH		Tolerierung nach ISO 8015 Tolerances as per ISO 8015			$\leq 6\text{mm}: \pm 0,2$ $\leq 6\text{mm}: \pm 0,2$		Oberflächen nach ISO 1302 Surfaces as per ISO 1302	Oberflächenbehandlung: Surface treatment:					
	Original drawing		Welle	Change No. C000941-10																																
RoHS	Scale	Format	Shaft	Phase: Nicht-Serie																																
	1:1	A4		Werkstoff: Material:																																
Maße in mm / Dimensions in mm			Einzelteilzeichnung / Component Drawing	●blanke Flächen/Blank surfaces																																
Werkstückkanten nach ISO 13715 Workpiece edges ISO 13715		Allgemeintoleranzen ISO 2768-mH General tolerances ISO 2768-mH		Tolerierung nach ISO 8015 Tolerances as per ISO 8015																																
		$\leq 6\text{mm}: \pm 0,2$ $\leq 6\text{mm}: \pm 0,2$		Oberflächen nach ISO 1302 Surfaces as per ISO 1302																																
Oberflächenbehandlung: Surface treatment:																																				
The reproduction, distribution and utilization of this document as well as the communication of its contents to others without express authorization is prohibited. Offenders will be held liable for the payment of damages. All rights reserved in the event of the grant of a patent, utility model or design. (ISO 16016)																																				
HEIDENHAIN DR. JOHANNES HEIDENHAIN GmbH 83301 Traunreut, Germany		Created Feichtner 11.06.2018	Responsible	Released	Version Revision Sheet Page D1256768-00-A-01 Document number 1 of 1																															

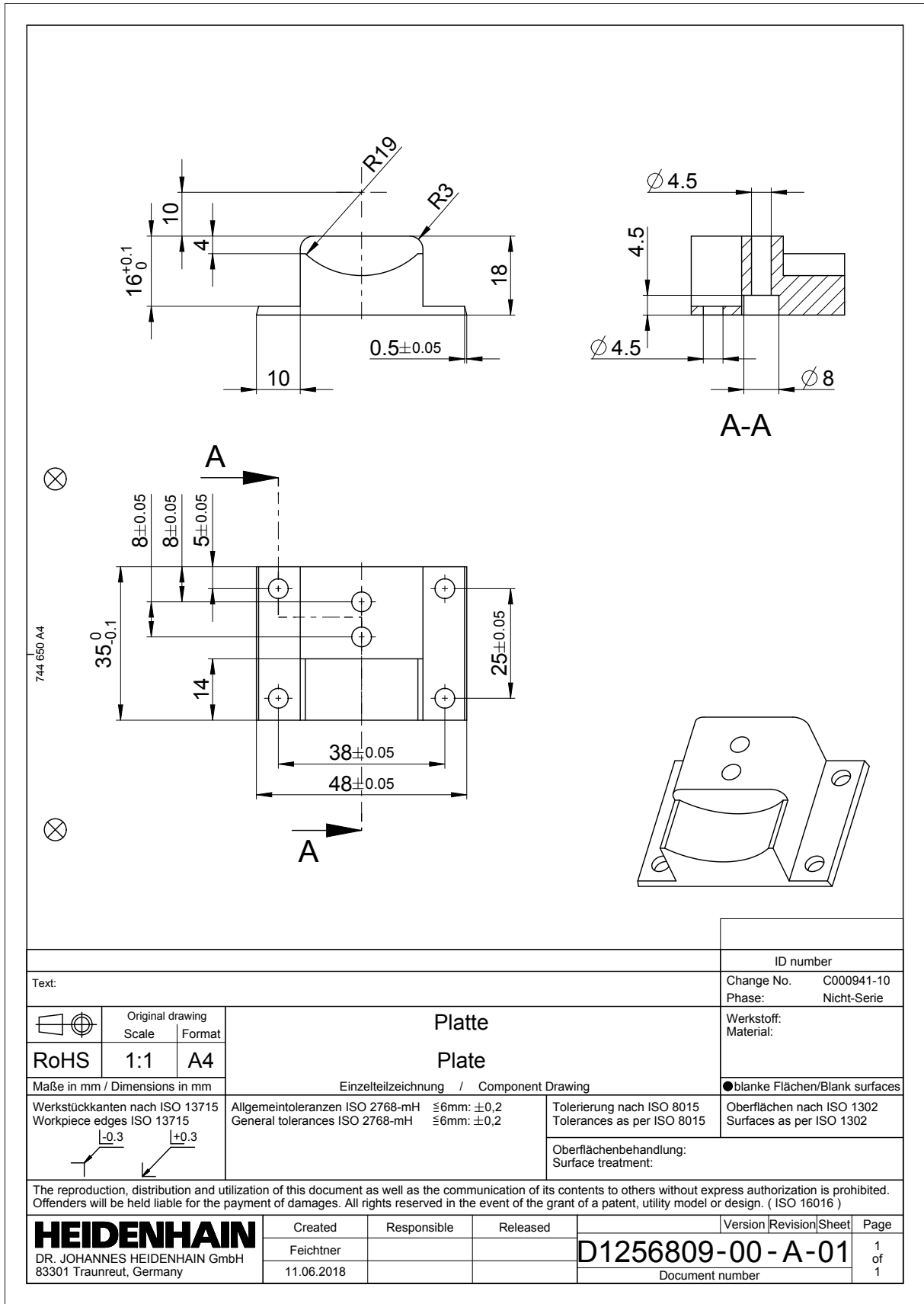


744 650 A4

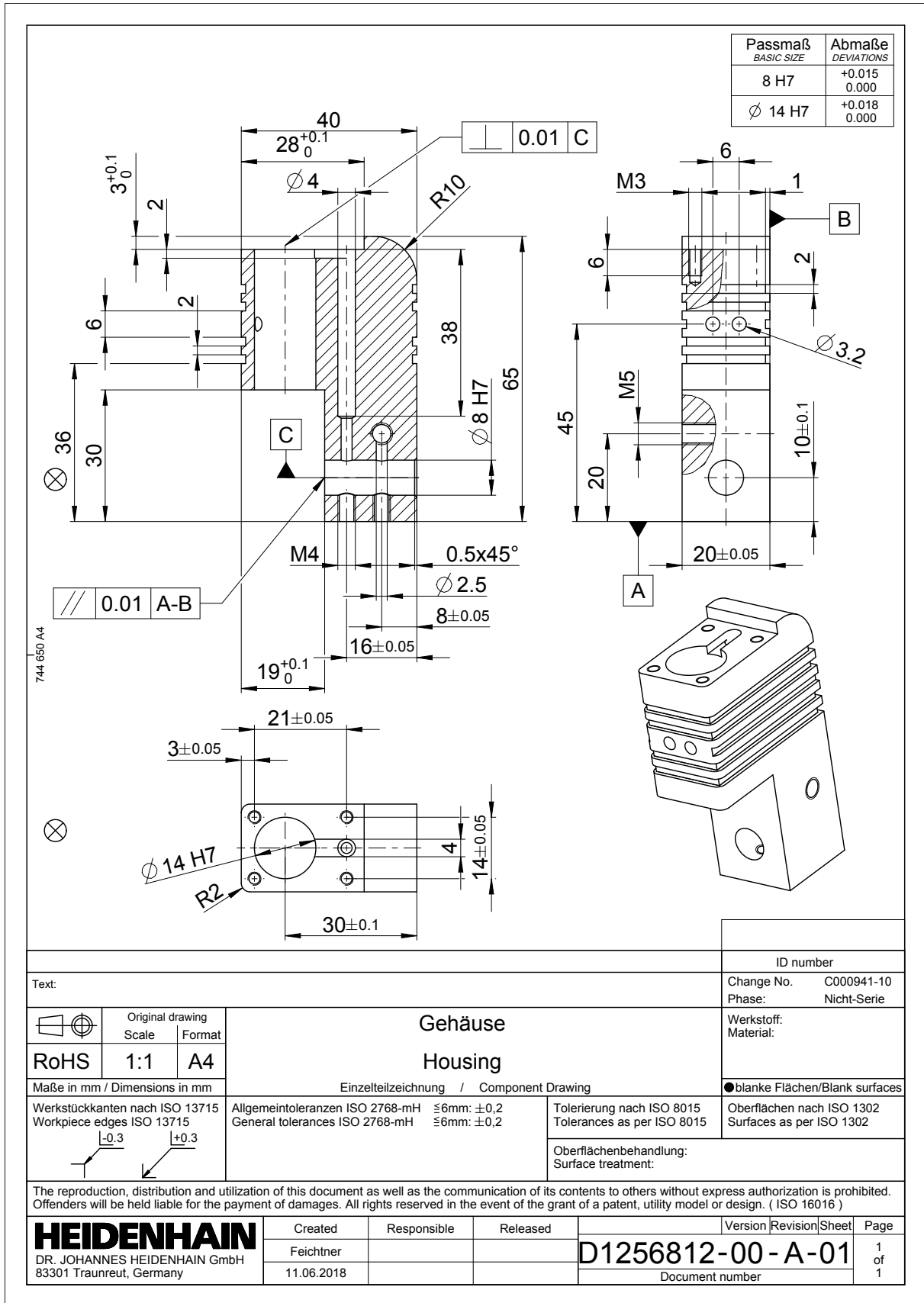
Text:		ID number												
Change No. C000941-10		Phase: Nicht-Serie												
Werkstoff: Material:		●blanke Flächen/Blank surfaces												
<table border="1"> <tr> <td>Original drawing</td> <td>Scale</td> <td>Format</td> </tr> <tr> <td>RoHS</td> <td>1:1</td> <td>A4</td> </tr> </table>		Original drawing	Scale	Format	RoHS	1:1	A4	<p>Platte</p> <p>Plate</p> <p>Einzelteilzeichnung / Component Drawing</p>						
Original drawing	Scale	Format												
RoHS	1:1	A4												
<p>Maße in mm / Dimensions in mm</p> <p>Werkstückkanten nach ISO 13715 Workpiece edges ISO 13715</p> <p>-0.3 $+0.3$</p>		<p>Allgemeintoleranzen ISO 2768-mH $\leq 6\text{mm}$: $\pm 0,2$ General tolerances ISO 2768-mH $\leq 6\text{mm}$: $\pm 0,2$</p> <p>Tolerierung nach ISO 8015 Tolerances as per ISO 8015</p> <p>Oberflächenbehandlung: Surface treatment:</p>												
<p>The reproduction, distribution and utilization of this document as well as the communication of its contents to others without express authorization is prohibited. Offenders will be held liable for the payment of damages. All rights reserved in the event of the grant of a patent, utility model or design. (ISO 16016)</p>		<table border="1"> <tr> <td>Version</td> <td>Revision</td> <td>Sheet</td> <td>Page</td> </tr> <tr> <td colspan="3">D1256772-00-A-01</td> <td>1 of 1</td> </tr> <tr> <td colspan="4">Document number</td> </tr> </table>	Version	Revision	Sheet	Page	D1256772-00-A-01			1 of 1	Document number			
Version	Revision	Sheet	Page											
D1256772-00-A-01			1 of 1											
Document number														
<p>HEIDENHAIN DR. JOHANNES HEIDENHAIN GmbH 83301 Traunreut, Germany</p>		<table border="1"> <tr> <td>Created</td> <td>Responsible</td> <td>Released</td> </tr> <tr> <td>Feichtner</td> <td></td> <td></td> </tr> <tr> <td>11.06.2018</td> <td></td> <td></td> </tr> </table>	Created	Responsible	Released	Feichtner			11.06.2018					
Created	Responsible	Released												
Feichtner														
11.06.2018														

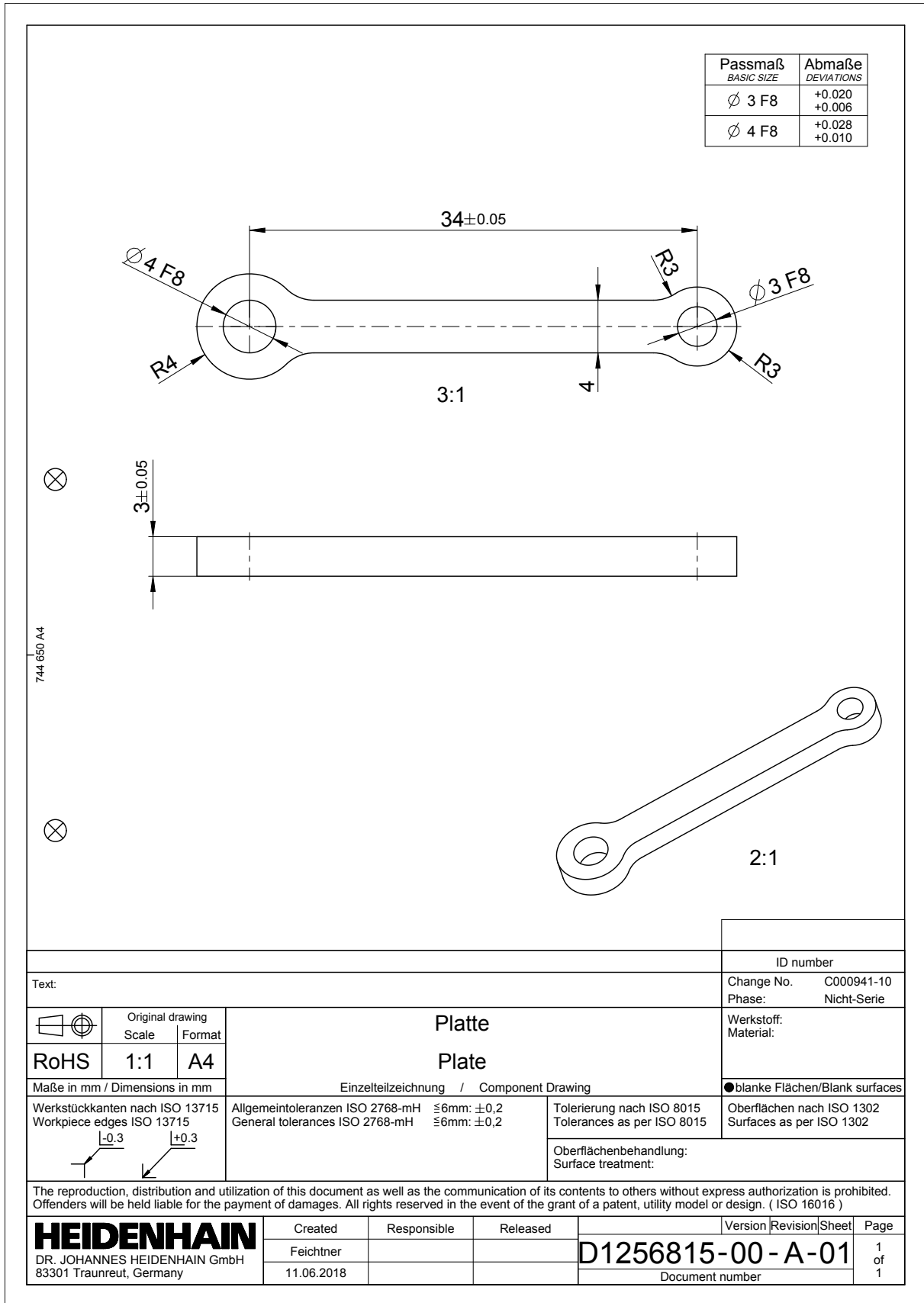


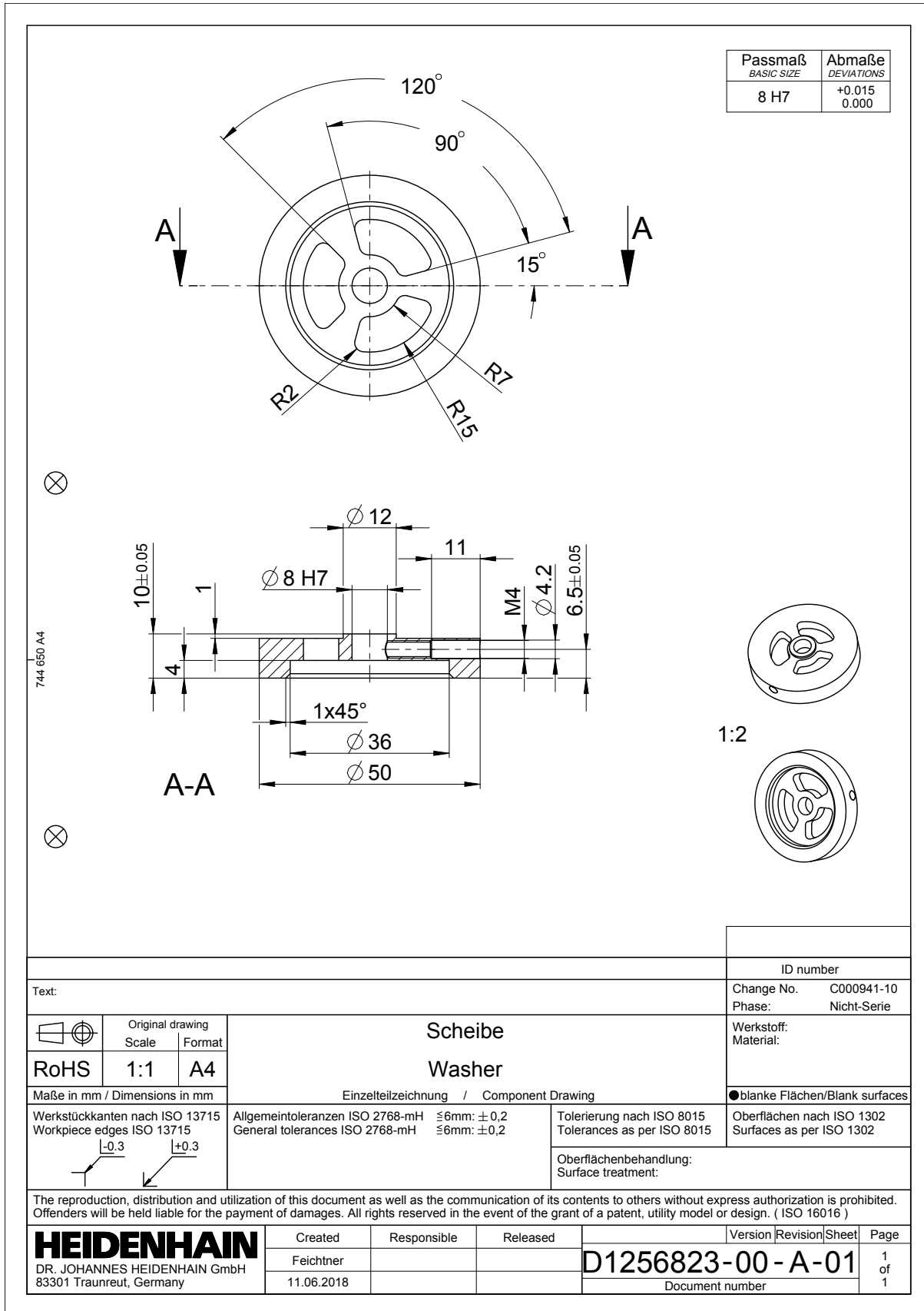


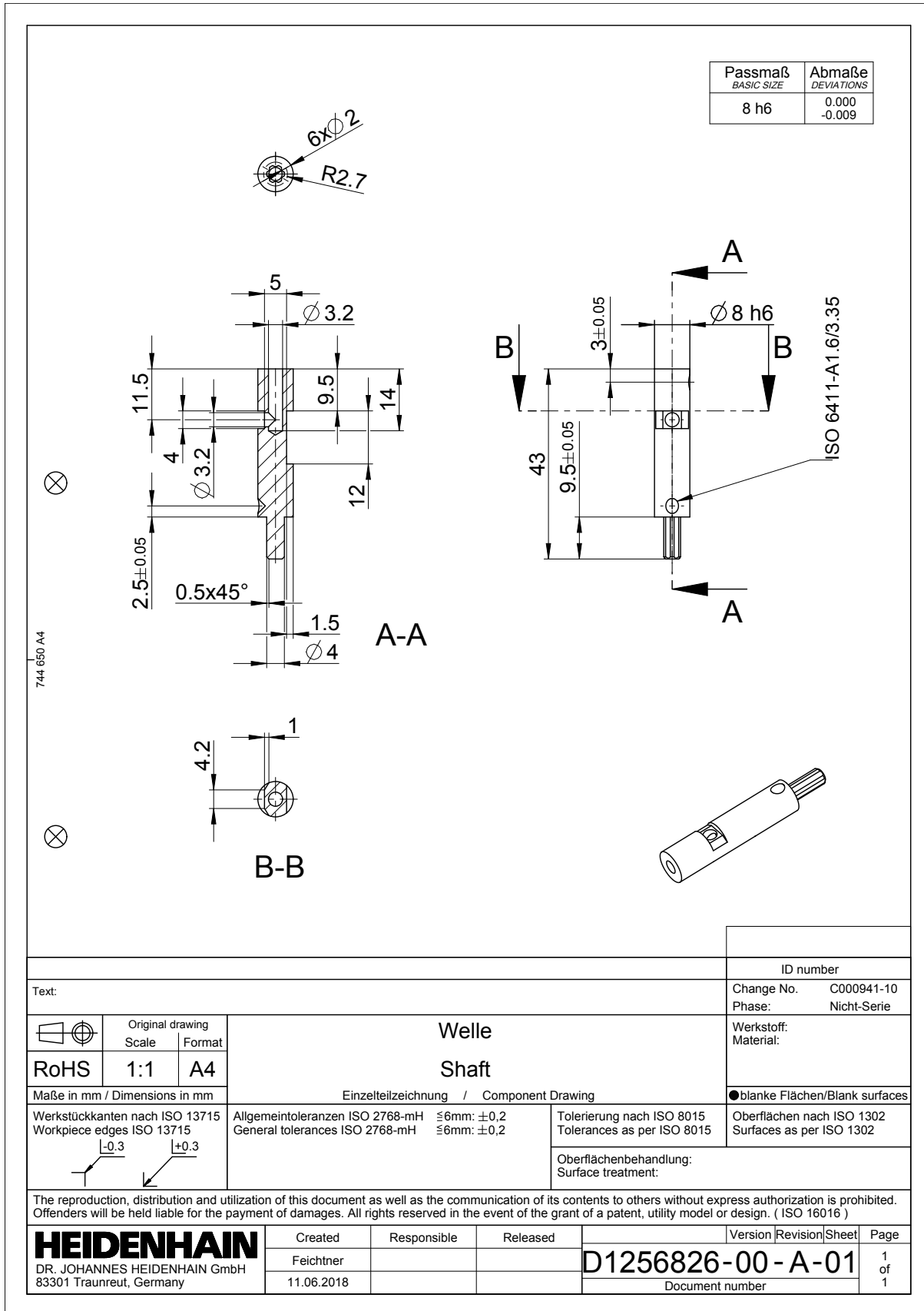


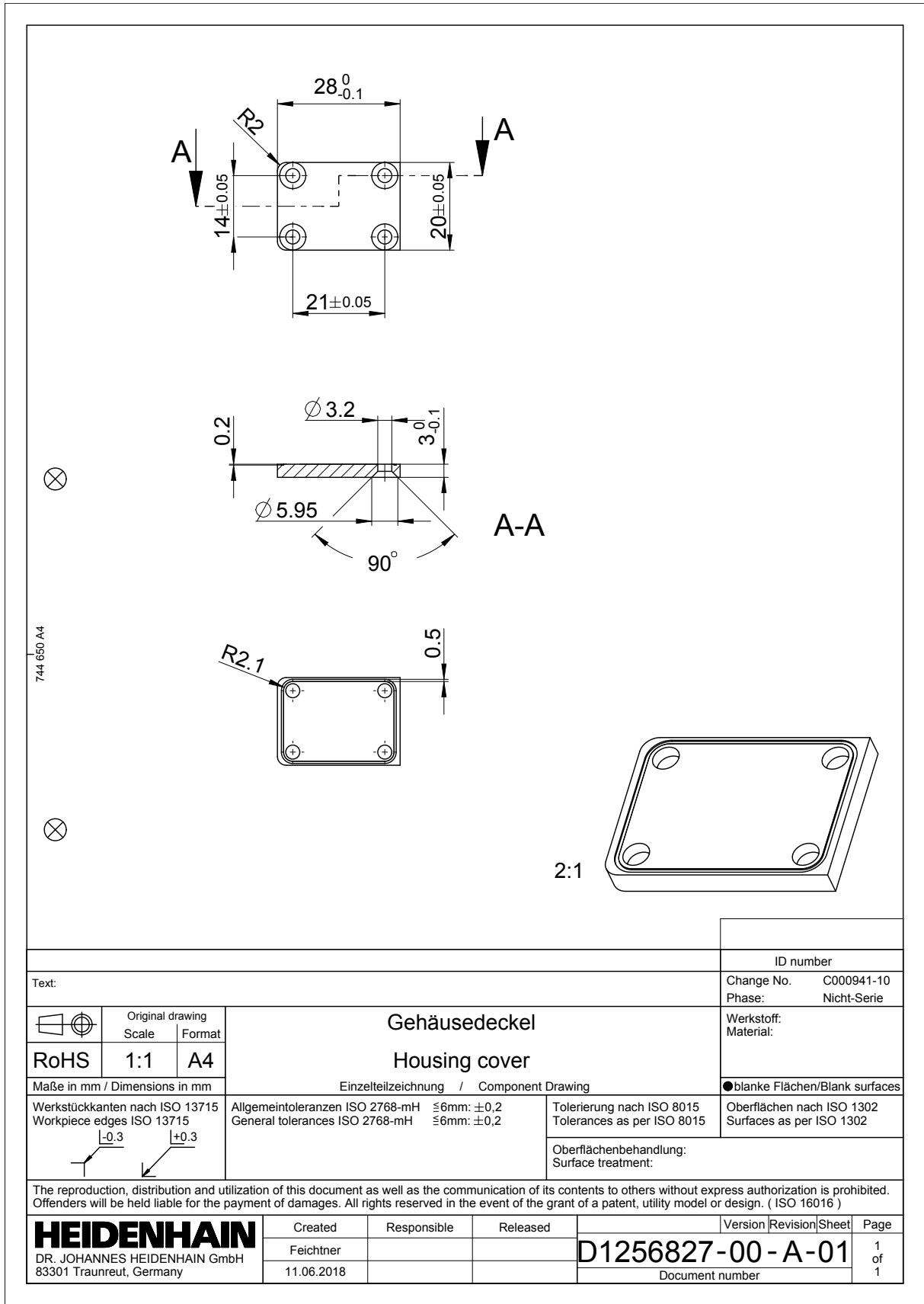
Text:		ID number	
		Change No. C000941-10	
		Phase: Nicht-Serie	
	Original drawing Scale: 1:1 Format: A4	Platte Plate	
Maße in mm / Dimensions in mm		Einzelteilzeichnung / Component Drawing	
Werkstückkanten nach ISO 13715 Workpiece edges ISO 13715 	Allgemeintoleranzen ISO 2768-mH General tolerances ISO 2768-mH ≤6mm: ±0,2 ≤6mm: ±0,2	Tolerierung nach ISO 8015 Tolerances as per ISO 8015	Oberflächen nach ISO 1302 Surfaces as per ISO 1302
		Oberflächenbehandlung: Surface treatment:	
The reproduction, distribution and utilization of this document as well as the communication of its contents to others without express authorization is prohibited. Offenders will be held liable for the payment of damages. All rights reserved in the event of the grant of a patent, utility model or design. (ISO 16016)			
HEIDENHAIN DR. JOHANNES HEIDENHAIN GmbH 83301 Traunreut, Germany	Created	Responsible	Released
	Feichtner		
	11.06.2018		
		D1256809-00-A-01	
		Document number	
		Version	Revision
		Sheet	Page
			1 of 1

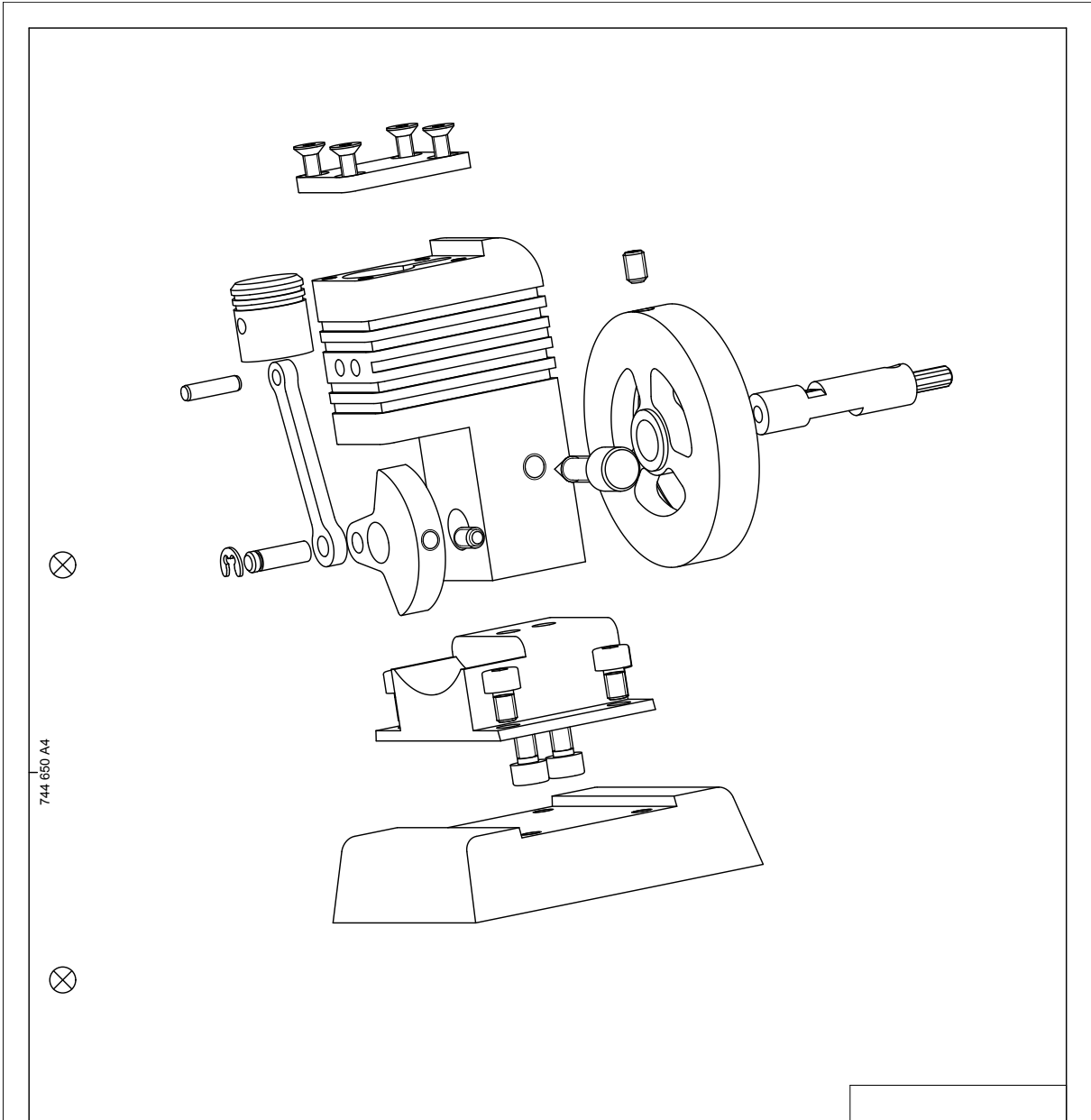












744 650 A4

Text:		ID number	
		Change No. C000941-10	Phase: Nicht-Serie
	Original drawing Scale Format	Motor motor	
RoHS	1:1 A4		
Maße in mm / Dimensions in mm		Einzelteilzeichnung / Component Drawing	
Werkstückkanten nach ISO 13715 Workpiece edges ISO 13715 	Allgmeintoleranzen ISO 2768-mH $\leq 6\text{mm}$: $\pm 0,2$ General tolerances ISO 2768-mH $\leq 6\text{mm}$: $\pm 0,2$	Tolerierung nach ISO 8015 Tolerances as per ISO 8015	●blanke Flächen/Blank surfaces Oberflächen nach ISO 1302 Surfaces as per ISO 1302
Oberflächenbehandlung: Surface treatment:			
The reproduction, distribution and utilization of this document as well as the communication of its contents to others without express authorization is prohibited. Offenders will be held liable for the payment of damages. All rights reserved in the event of the grant of a patent, utility model or design. (ISO 16016)			
HEIDENHAIN DR. JOHANNES HEIDENHAIN GmbH 83301 Traunreut, Germany	Created	Responsible	Released
	Feichtner 18.06.2018		
		D1256856-00-A-01	
		Document number	
		Version	Revision Sheet Page
			1 of 1

