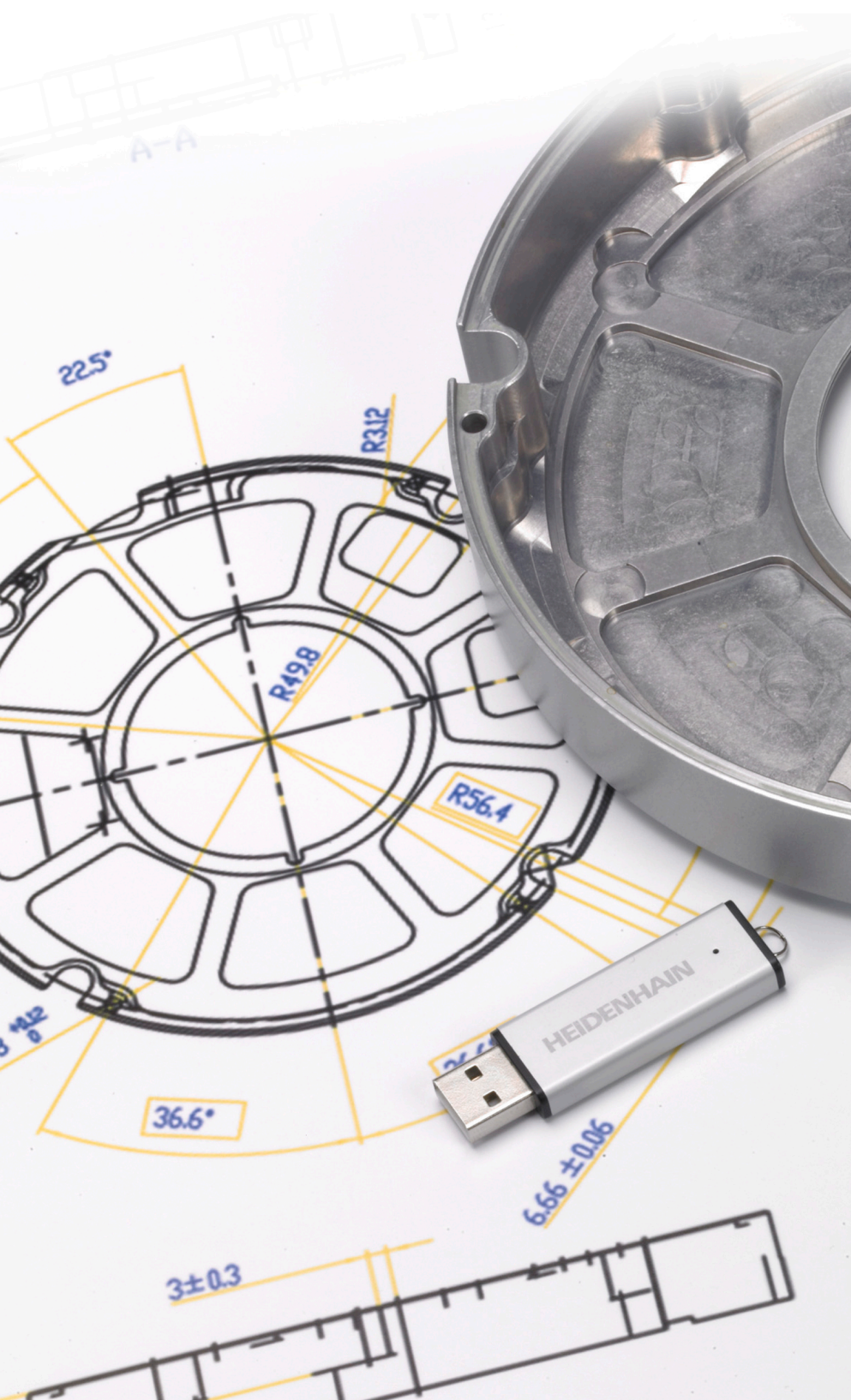




HEIDENHAIN



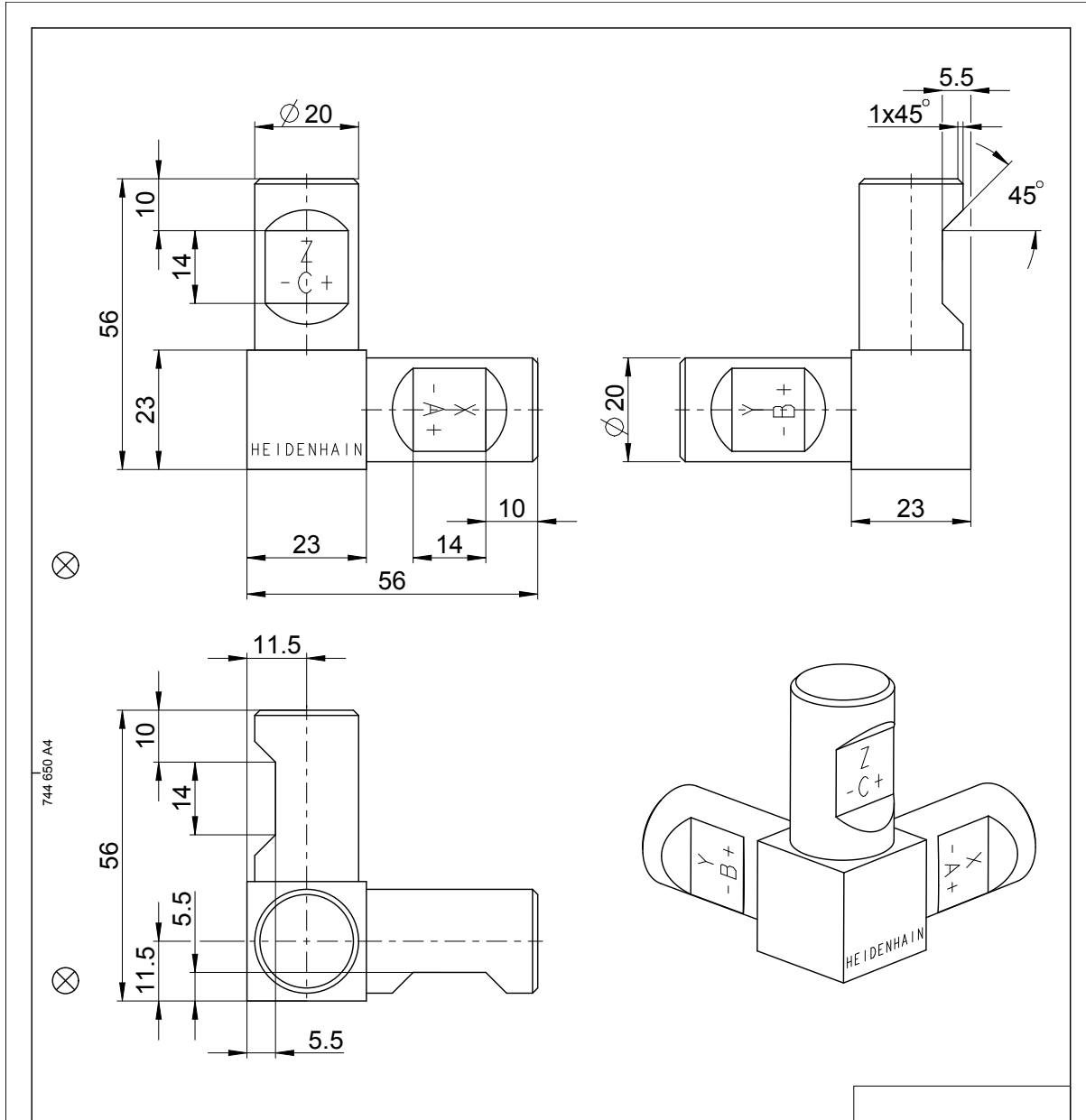
NC-Solutions

Tekenset 13005

Nederlands (nl)
6/2018

1 Tekenset_13004

Tekenset coördinatenkruis



Text:			ID number							
			Change No.	C000941-10						
			Phase:	Nicht-Serie						
<table border="1"> <tr> <td></td> <td>Original drawing</td> </tr> <tr> <td>Scale</td> <td>Format</td> </tr> <tr> <td>1:1</td> <td>A4</td> </tr> </table>				Original drawing	Scale	Format	1:1	A4	Klotz Block	
	Original drawing									
Scale	Format									
1:1	A4									
Maße in mm / Dimensions in mm			Einzelteilzeichnung / Component Drawing							
Werkstückkanten nach ISO 13715 Workpiece edges ISO 13715 		Allgemeintoleranzen ISO 2768-mH $\leq 6\text{mm}$: ± 0.2 General tolerances ISO 2768-mH $\leq 6\text{mm}$: ± 0.2		Tolerierung nach ISO 8015 Tolerances as per ISO 8015						
			●blanke Flächen/Blank surfaces Oberflächen nach ISO 1302 Surfaces as per ISO 1302							
Oberflächenbehandlung: Surface treatment:										
The reproduction, distribution and utilization of this document as well as the communication of its contents to others without express authorization is prohibited. Offenders will be held liable for the payment of damages. All rights reserved in the event of the grant of a patent, utility model or design. (ISO 16016)										
HEIDENHAIN DR. JOHANNES HEIDENHAIN GmbH 83301 Traunreut, Germany			Created	Responsible						
			Released	Version						
			Revision	Sheet						
			Page							
			D1258492-00-A-01 Document number							
			1 of 1							

